

4

3

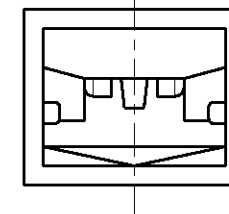
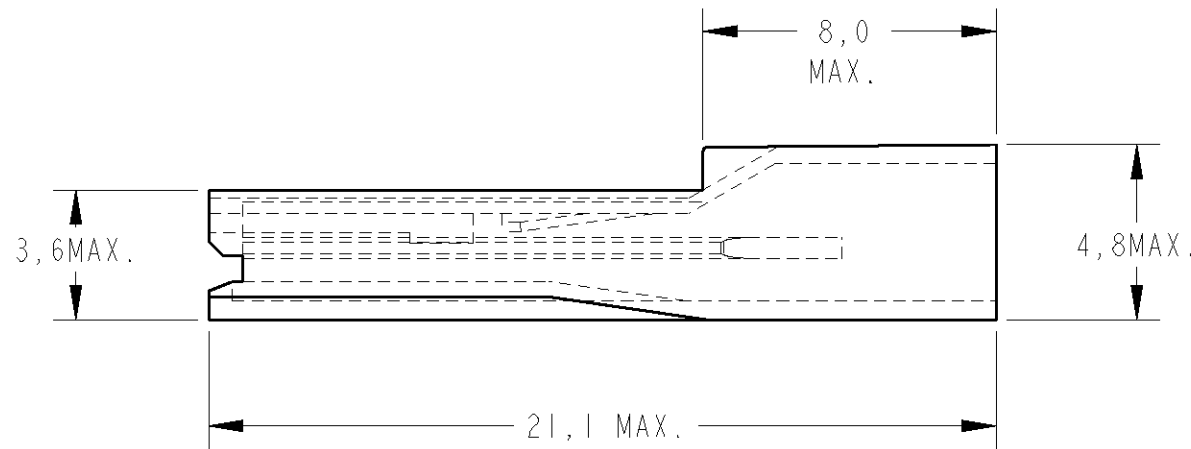
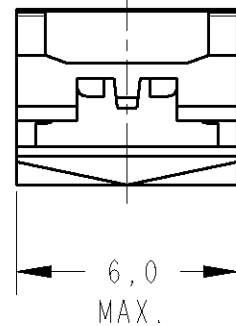
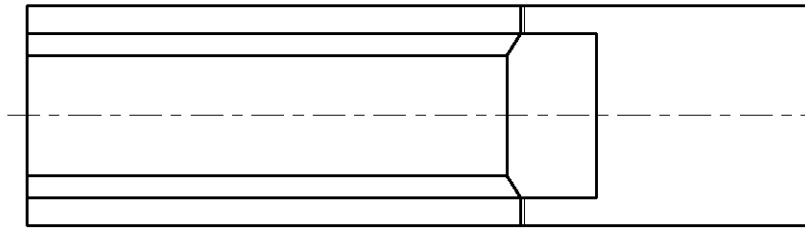
2

1

THIS DRAWING IS UNPUBLISHED. RELEASED FOR PUBLICATION 20
© COPYRIGHT 20 BY TYCO ELECTRONICS CORPORATION. ALL RIGHTS RESERVED.

LOC	DIST	REVISIONS				
P	LTR	DESCRIPTION	DATE	DWN	APVD	
AP	-					
	DI	REDRAWN BY CAD EC-LE10-0048/04	14JUL2004	MRB	PLF	
	E	REVISED BY LE10-0224/04	09SEP2004	H.C	WLS	
	F	REVISED BY LE10-0051/05	13APR2005	H.C	WLS	

CAD
Pro-E
DO NOT REVISE
EXCEPT BY CAD



△-MATÉRIA PRIMA CONFORME ESPECIFICAÇÃO IEC 60335-1, GWT 750°C, SEM CHAMA.
RAW MATERIAL ACC. TO SPEC. IEC 60335-1, GWT 750°C, WITHOUT FLAME.

	NATURAL	△ PA 6.6 V-0	141628-5
	PRETO/BLACK	PA 6.6 V2 ESTABILIZADO AO CALOR	141628-4
	AMARELO / YELLOW	PA 6.6 94 V2	141628-3
	NATURAL	PA 6.6 94 V2	141628-2
OBSOLETE	NATURAL	PA 6.6 94 V1	141628-1
	FINISH	MATERIAL	PART NUMBER

<small>THIS DRAWING IS A CONTROLLED DOCUMENT FOR TYCO ELECTRONICS CORPORATION IT IS SUBJECT TO CHANGE AND THE CONTROLLING ENGINEERING ORGANIZATION SHOULD BE CONTACTED FOR THE LATEST REVISION.</small>		DWN M.R.BRIZ 09JUN2004 CHK P.L.FARIA 14JUN2004 APVD H.LIVERARO 14JUN2004		TYCO ELECTRONICS do Brasil LTDA. Sao Paulo, Brasil	
DIMENSIONS: mm		TOLERANCES UNLESS OTHERWISE SPECIFIED: 0 PLC ±- 1 PLC ±0,3 2 PLC ±- 3 PLC ±- 4 PLC ±- ANGLES ±- FINISH		NAME FASTON RECEPTACLE HSG. .110 SERIES	
MATERIAL SEE TABLE		PRODUCT SPEC NA APPLICATION SPEC NA WEIGHT -/-		SIZE A3 CAGE CODE 00779 DRAWING NO C-141628 RESTRICTED TO -	
CUSTOMER DRAWING				SCALE 5:1 SHEET 1 OF 1 REV F	